



STEEL DESIGN SOLUTIONS



Floating Surface Adjustable Bracket

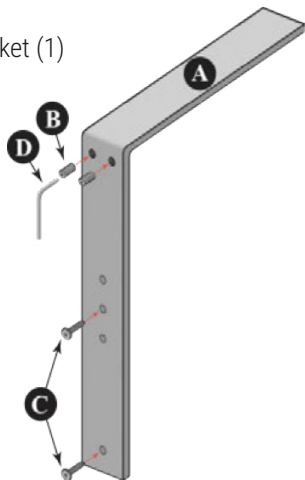
# **INSTALLATION GUIDE**

& Warranty Information

# Installation Kit and Requirements

## Hardware Included:

- A - Floating Surface Adjustable Bracket (1)
- B - Allen head set screws (2)
- C - Phillips head wood screws (2)
- D - Allen wrench (1)



## Tools Required:

- Phillips screw driver
- 1/8" drill bit
- Caulk
- Router
- Wood chisel

## Bracket Installation Requirements:

- Wall thickness between 3/4" - 4" (add material if < 3/4")
- Must be placed directly under seams in countertop
- Used for overhangs between 8" and 18"

# Bracket Selection

The necessary bracket size is determined by the wall thickness and overhang length. Use the chart below to find the correct bracket for your countertop.

		Overhang Length										
		8"	9"	10"	11"	12"	13"	14"	15"	16"	17"	18"
Wall Thickness	3/4"	8"	8"	8"	10"	10"	10"	12"	12"	12"	14"	14"
	2"	8"	8"	10"	10"	10"	12"	12"	12"	14"	14"	16"
	3"	10"	10"	10"	12"	12"	12"	14"	14"	14"	16"	16"
	4"	10"	10"	12"	12"	12"	14"	14"	14"	16"	16"	16"

# Number of Brackets Needed

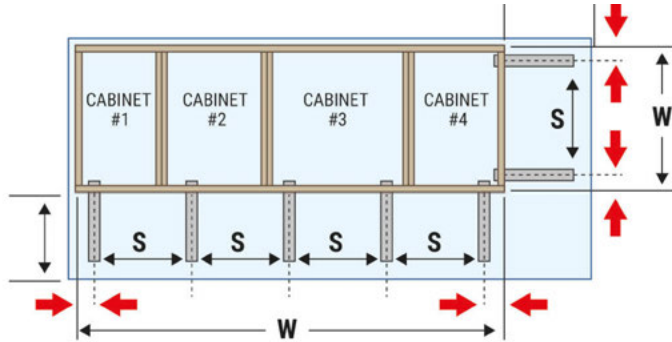
Generally, you will need one bracket every 12-18". The chart below gives bracket requirements for countertops of various widths.

Width	# of Brackets
24 - 28"	2
29 - 48"	3
49 - 68"	4
69 - 88"	5
89 - 108"	6

## Bracket Spacing

The first and last brackets should be placed 3" from the end/corner of the countertop. The spacing between brackets can be determined using the formula below:

$$\text{Spacing (S)} = \frac{\text{Width (W)} - 6}{\text{\# of Brackets} - 1}$$



### Legend

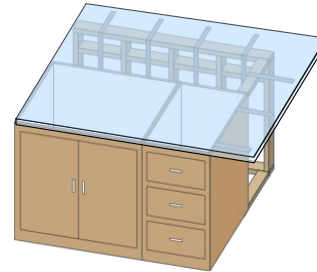
■ Bracket    ← Distance to End/Corner    **W** Width    **S** Spacing

## Mounting Options

The Floating Surface Adjustable bracket can be mounted in a variety of ways.

### Option 1: Mount to Cabinet

wall thickness usually  $\frac{3}{4}$ " to 2"

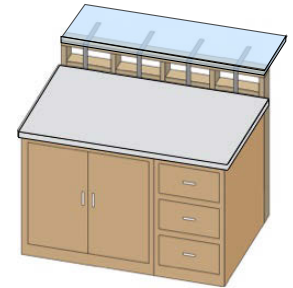


### Option 2: Single Level, Wall Mount

wall thickness usually 4"

### Option 3: Two Level, Wall Mount

wall thickness usually 4",  
requires locking wedges



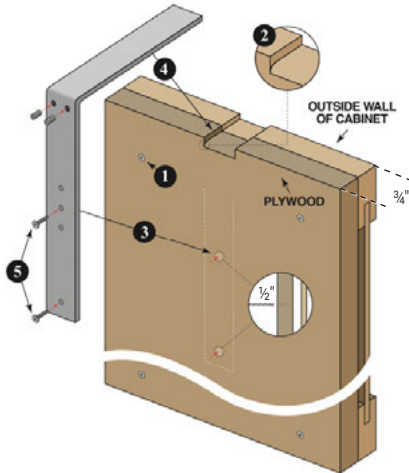
## Mounting Options *continued*

### Option 1A: Mounting Bracket to Back or Side of Cabinet

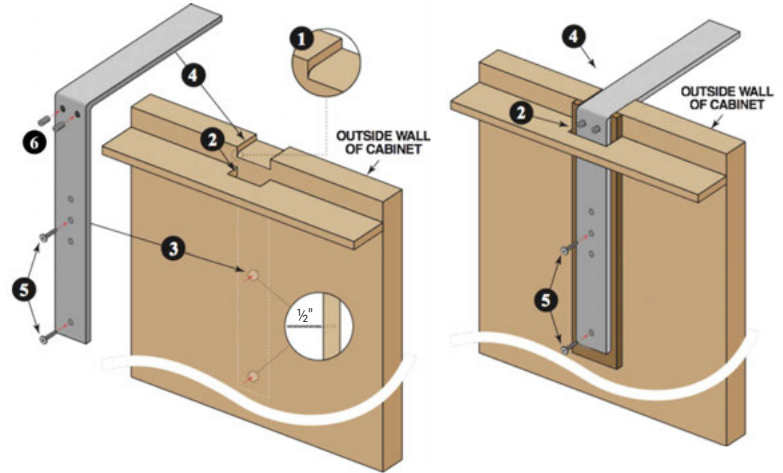
- 1 - Attach  $\frac{3}{4}$ " plywood (if necessary) to inside of cabinet to meet  $\frac{3}{4}$ " min wall thickness requirement. Attach using four wood screws (not included).
- 2 - Notch top wall  $\frac{1}{4}$ " by  $2\frac{1}{8}$ ". Cut  $\frac{1}{4}$ " radius on inside wall. If mounting to side of cabinet, use a jigsaw to cut a slot at least  $\frac{1}{2}$ " by  $2\frac{1}{8}$ " in any support that obstructs the bracket's fit.

- 3 - Using bracket as a template, mark and drill  $\frac{1}{8}$ " pilot holes  $\frac{1}{2}$ " deep
- 4 - Make sure bracket fits tightly on wall surface and there is  $\frac{1}{16}$ " **gap (very important)** from top of bracket to top of wall. If not, remove material in notch or radius.
- 5 - Attach bracket to wall using 2 -  $\frac{3}{4}$ " wood screws, one in bottom hole and one in middle hole.
- 6 - Go to page "Adjusting Set Screws and Installing Countertop."

### Mounting to Back of Cabinet



### Mounting to Side of Cabinet

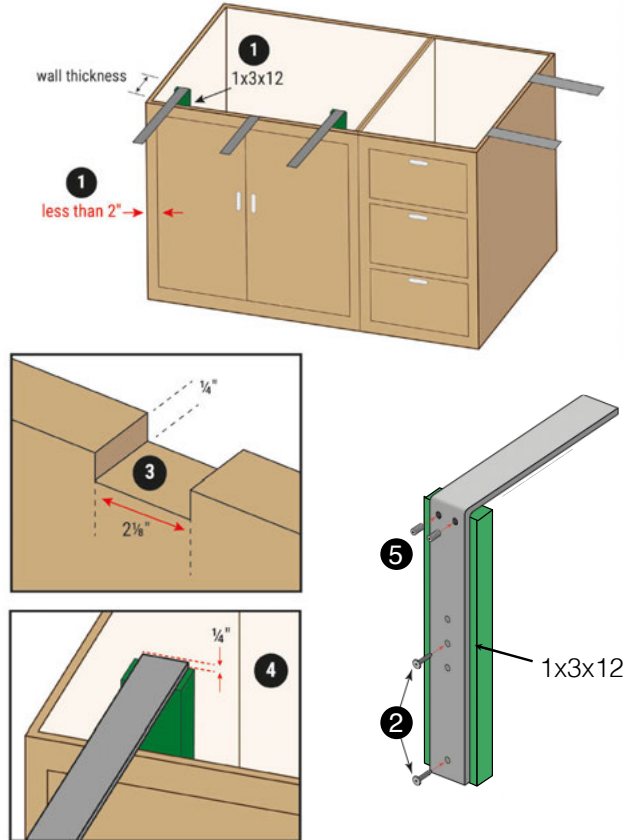


## Mounting Options *continued*

### Option 1B: Mounting Bracket to Front of Cabinet with Doors

Reference the numbers below with the diagram

- 1 - If there is not a 2" wide surface to mount bracket on front wall, a 1"x3"x12" piece of wood can be mounted to the cabinet sidewall several inches away from the front face. The distance from the front face to the back side of 1"x3"x12" becomes the wall thickness when sizing the bracket.
- 2 - Attach each bracket to a 1"x3"x12" piece of wood using two wood screws provided.
- 3 - Fit-check the bracket on sidewall and mark the top wall of front cabinet where each bracket is located. Notch top  $\frac{1}{4}$ " by  $2\frac{1}{8}$ " at each location.
- 4 - Attach 1"x3"x12" to sides of cabinet using three wood screws (not provided), making sure that there is  $\frac{1}{4}$ " gap (very important) from the top of 1"x3"x12" to the top of wall. If not, adjust 1"x3"x12" up or down to set gap.
- 5 - Go to page "Adjusting Set Screws and Installing Countertop."



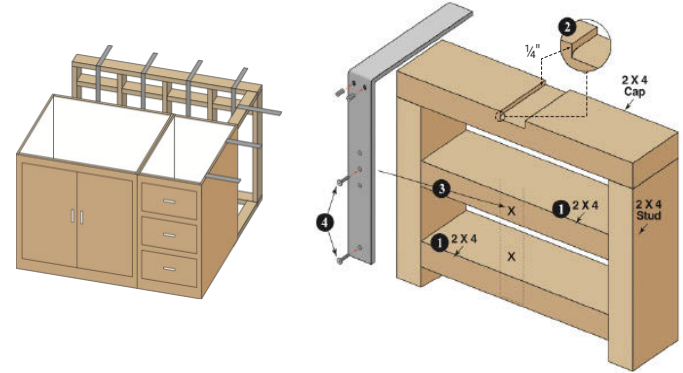
# Mounting Options *continued*

## Options 2 and 3: Mounting Bracket to Wall

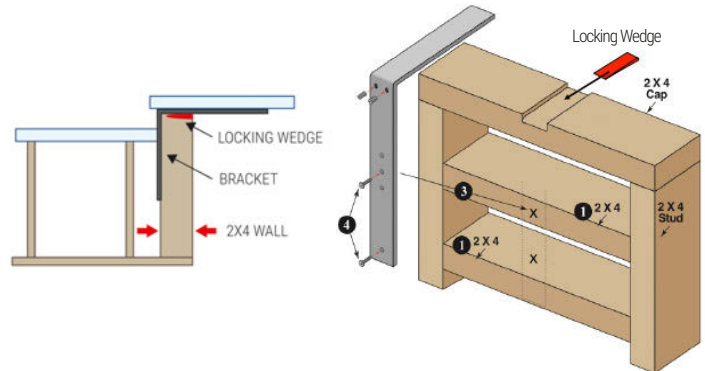
Reference the numbers below with the diagram

- 1 - Install 2x4 cross braces between wall studs to support bracket. The bracket can be mounted on stud or any location on cross braces. Use bracket as template to locate cross braces.
- 2 - If single level countertop, notch top of 2x4 cap  $\frac{1}{4}$ " by  $2\frac{1}{8}$ ". Cut  $\frac{1}{4}$ " radius on inside wall. If two level, make additional notches on back of wall  $\frac{1}{2}$ " deep by  $2\frac{1}{8}$ " so backsplash or finished surface can cover bracket. (see number 6 in lower image)
- 3 - Make sure bracket fits tightly on wall surface and there is  $\frac{1}{16}$ " **gap (very important)** from top of bracket to top of wall. If not, remove material in notch until bracket is  $\frac{1}{16}$ " from top surface of wall.
- 4 - Attach bracket to wall using 2 -  $\frac{3}{4}$ " wood screws, one in bottom hole and one in middle hole.
- 5 - Go to page "Adjusting Set Screws and Installing Countertop."

## Single Level Wall Mount



## Two Level Wall Mount

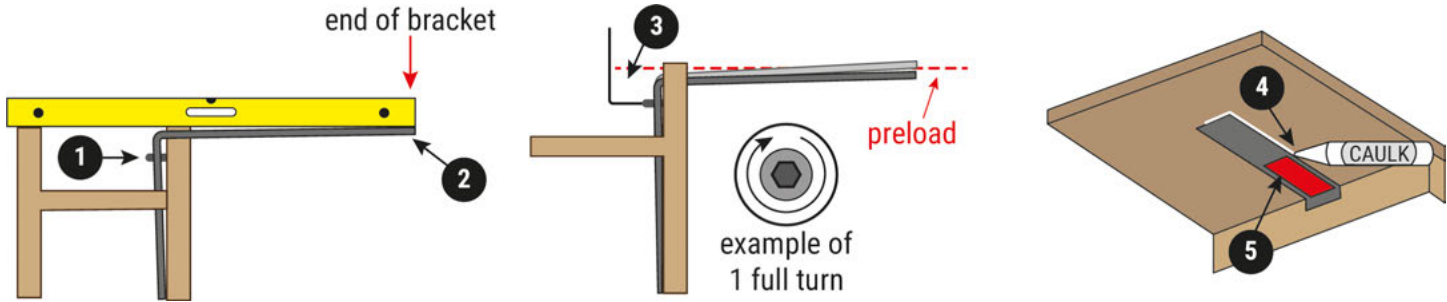


# Adjusting Set Screws

Reference the numbers below with the diagrams.

- 1 - Turn set screws to level end of bracket with other parts of counter.
- 2 - Use a level to confirm end of bracket is level and both set screws are equally engaged.
- 3 - Turn both set screws additional turns based on table at right. This provides support at the end of the bracket and ensures uniform support of your specific countertop by preloading bracket.
- 4 - Install countertop and apply caulk around perimeter of bracket under countertop.
- 5 - For two level countertops only, install locking wedge and make sure countertop is level. Make small adjustment to set screws if necessary.

Counter Weight (lbs/sq ft)			
Bracket Size	18 granite 1¼" thick	12 granite ¾" thick	6 lighter material
8"	2.5	1.7	0.8
10"	3	2	1
12"	3.5	2.3	1.2
14"	4	2.7	1.3
16"	4.5	3	1.5



# Warranty Information

## CONTACT INFORMATION

If you have questions about bracket sizing or number of brackets for your specific countertop overhang, please send a diagram of your countertop along with a list of questions to [info@steeldesignsolutions.com](mailto:info@steeldesignsolutions.com).

## INSTRUCTIONS DISCLAIMER

Steel Design Solutions, Inc. ("SDS") intends to make these installation instructions accurate and complete. However, SDS makes no claim that the information contained herein addresses all conceivable details, conditions or variations, nor does it provide for every possible contingency in connection with the installation or use of this product. The information contained in this document is subject to change without notice or obligation of any kind.

## LIMITED WARRANTY

Steel Design Solutions, Inc. ("SDS") warrants that the Floating Surface Adjustable Bracket (FSAB) will be free from defects in material and workmanship under normal and proper usage for a period of five (5) years from the date of purchase. This warranty does not extend to any hardware such as screws or wrenches which may be included in the FSAB packaging. If the warranty in the FSAB packaging differs from the warranty policy posted at [steeldesignsolutions.com](http://steeldesignsolutions.com), the policy at [steeldesignsolutions.com](http://steeldesignsolutions.com) shall be considered the most current and in effect.

The FSAB has an intended purpose. If used outside of that purpose, the product will not be warranted and SDS shall not be held responsible for any damage that may occur due to accident, abuse, misuse or negligence. The following products are not covered under this warranty: (1) FSABs that have been altered, modified, neglected or poorly maintained; (2) FSABs that are purchased in used condition, not in original packaging, or from an unauthorized dealer or distributor; (3) FSABs that have been damaged during transit or shipping.

The following damages are not covered under this warranty: (1) Damage to persons or property due to improperly installed or repaired FSABs as recommended by SDS; (2) Damage from causes other than defects in materials and workmanship such as a purchaser's or installer's lack of skill, competence or experience.

SDS's obligation under this warranty is limited to one the following at the sole option of SDS: (1) Replacement of the defective FSAB; (2) Supply of equivalent goods; (3) The payment of the cost of replacing the FSAB; or (4) The payment of the cost of having the FSAB repaired.

SDS's sole obligation and your exclusive remedy under this warranty shall be limited to the cost of such repair or replacement. SDS's aggregate liability, if any, in damages or otherwise, shall not exceed the purchase price paid to SDS by the purchaser for the product which gave rise to the warranty claim. This warranty does not cover the repair or replacement costs of any property other than the defective FSAB.

To the extent permitted by law, this warranty and remedies set forth above are exclusive and in lieu of all other warranties, remedies and conditions, whether oral or written, statutory, express or implied. As permitted by applicable law, SDS specifically disclaims any and all statutory or implied warranties, including, without limitation, warranties of merchantability, fitness for a particular purpose and warranties against hidden or latent defects. If SDS cannot lawfully disclaim statutory or implied warranties then to the extent permitted by law, all such warranties shall be limited in duration to the duration of this express limited warranty and to repair or replacement service as determined by SDS in its sole discretion. No SDS reseller, agent, or employee is authorized to make any modification, extension, or addition to this warranty. Except as provided in this warranty and to the extent permitted by law, SDS is not responsible for direct, special, incidental or consequential damages however caused.

To make a claim under this limited warranty, contact SDS by email to [info@steeldesignsolutions.com](mailto:info@steeldesignsolutions.com). SDS must be notified in writing of any claim under this warranty within 45 days of any claimed lack of conformity of the product. All warranty claims must be accompanied by a legible copy of the original receipt showing the date and cost of the purchase along with the purchaser's name, address and phone number.

This warranty will be interpreted pursuant to the laws of State of Florida. By purchasing this product, the buyer submits to the exclusive jurisdiction of the State of Florida in regard to any disputes that may relate to the product or this warranty. If any provision of this warranty, or any portion thereof, is held to be invalid and unenforceable, then the remainder of this warranty shall nevertheless remain in full force and effect. Any otherwise void, invalid or unenforceable section, term or provision of this warranty shall be so construed, or reformed, as to alter, amend or change any such term, provision or condition to the extent necessary to render it valid, lawful and enforceable, while also giving maximum effect to the parties' originally intended purpose or result, short of creating any void, invalid or unenforceable provision, term or condition.

This warranty gives you specific legal rights and you may also have other legal rights which vary from state to state. Some states do not allow limitations on how long an implied warranty lasts, so the above limitations may not apply to you. Some states do not allow the exclusion or limitation of incidental or consequential damages, so the above limitations or exclusions may not apply to you.



US PATENT NO. 8,955,288